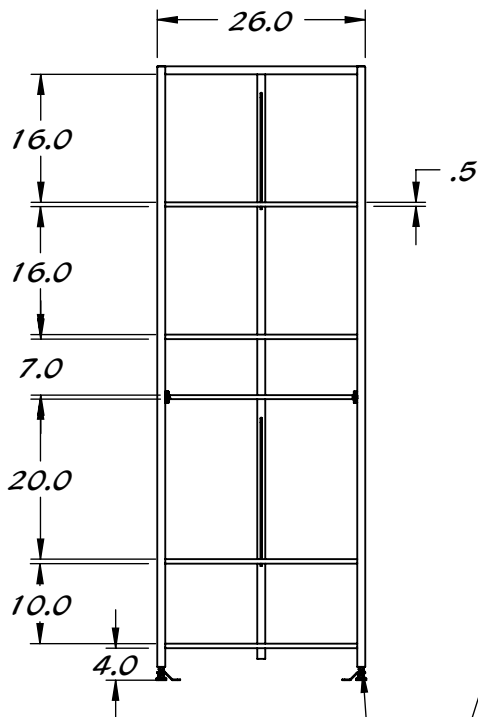


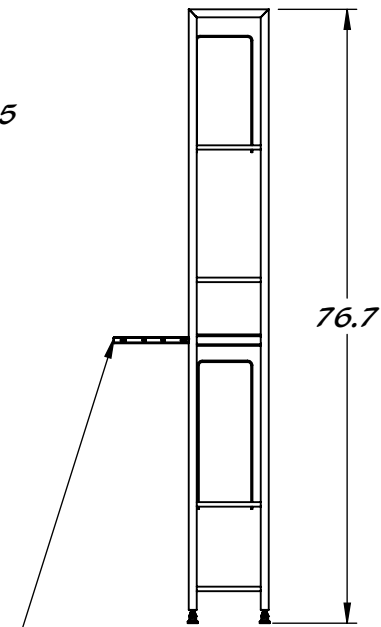
STAINLESS STEEL CONSTRUCTION

HOLD DOWN BRACKET
TO HOLD 6.5" w X 14" T
UNIT

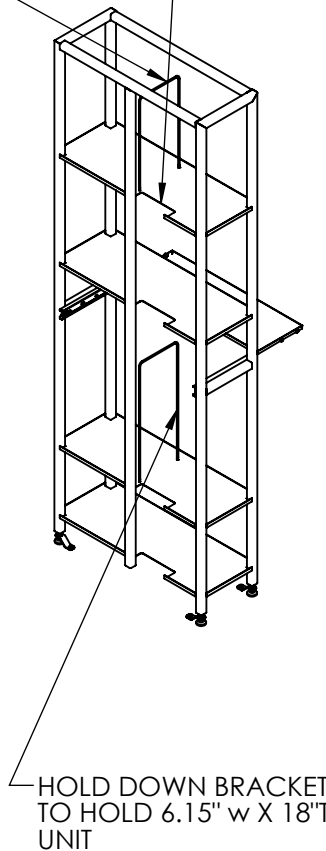
CABLE CUTOUT
2" X 6" ALL
SHELVES



BOLT DOWN LEVELERS



FULL EXTENSION
DRAWER
23" X 8" WITH
1/2" LIP ALL SIDES



HOLD DOWN BRACKET
TO HOLD 6.15" w X 18" T
UNIT