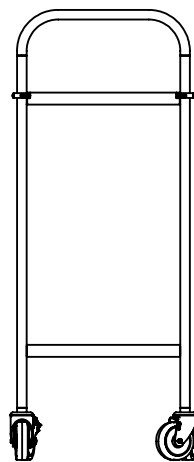
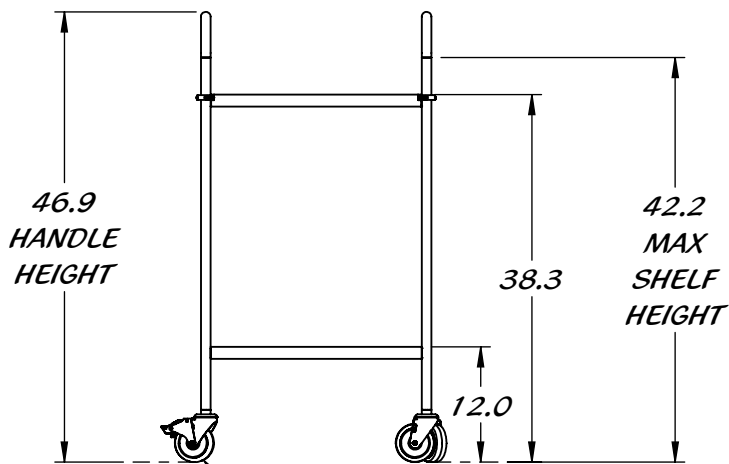
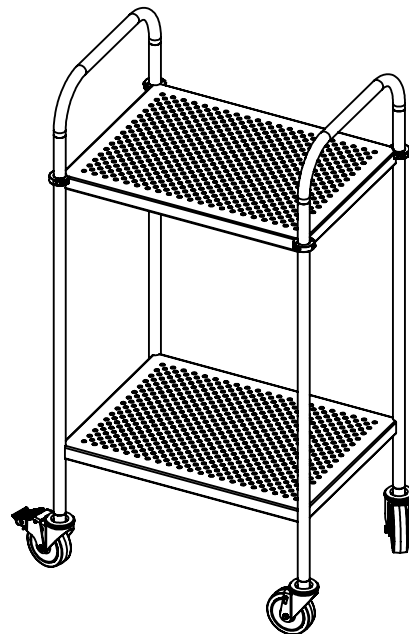
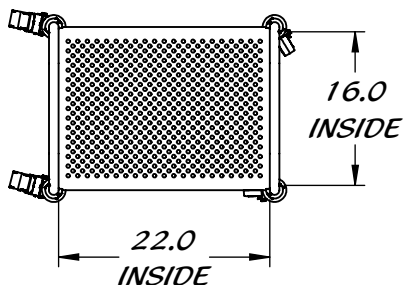


ALL STAINLESS STEEL CONSTRUCTION

*TO ADJUST SHELF, LOOSEN 4x SHAFT COLLARS
AT EACH CORNER AND SET NEW LOCATION,
THEN TIGHTEN COLLARS.*



TWO CASTERS WITH BRAKE