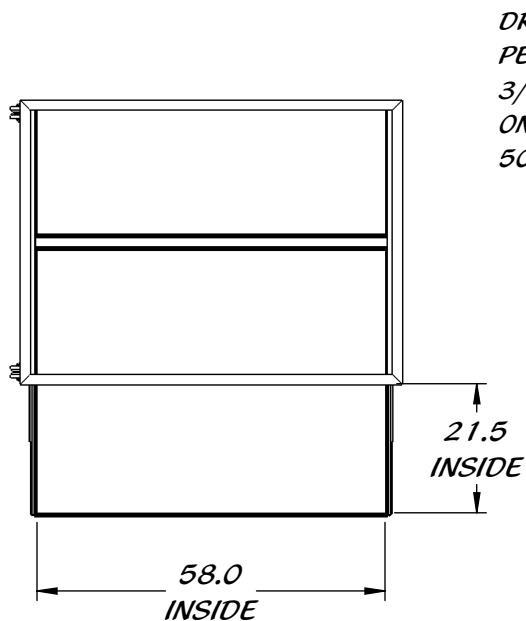
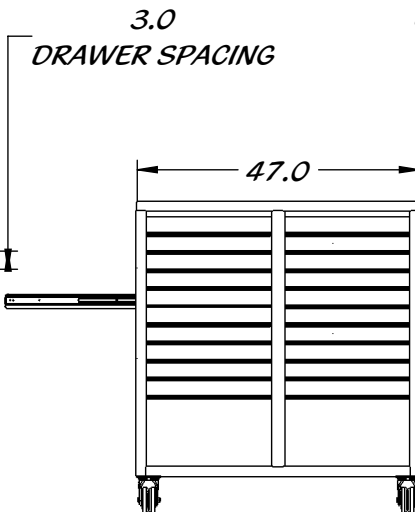
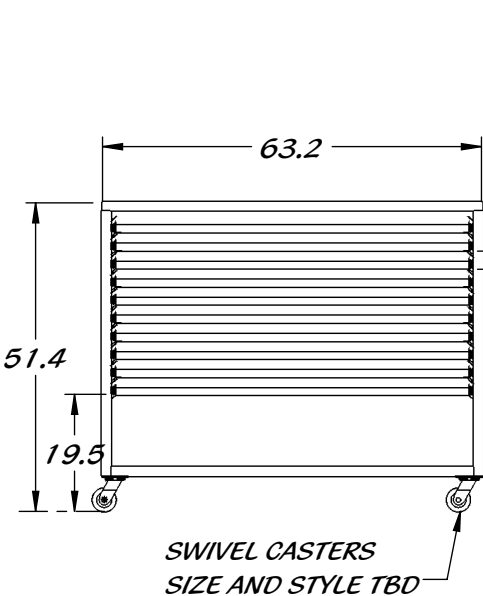
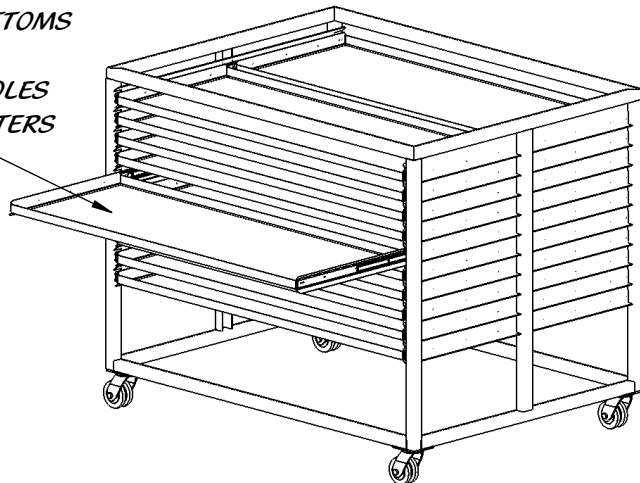


REY1708

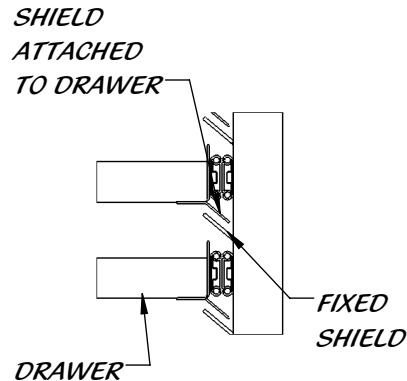
20 DRAWER OVEN CART



DRAWER BOTTOMS
PERFORATED
3/16" DIA HOLES
ON 1/4" CENTERS
50% OPEN



DRAWER SLIDE PARTICLE DEFLECTION



SHIELDS KEEP PARTICLES
FROM CONTAMINATING PRODUCT