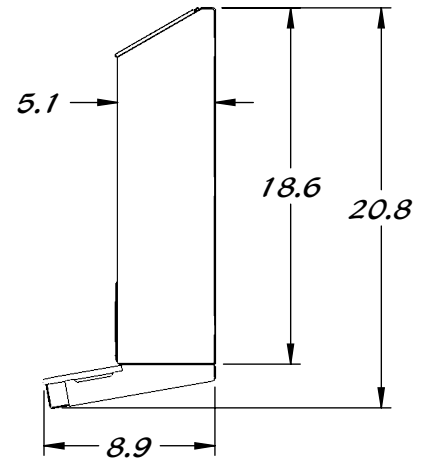
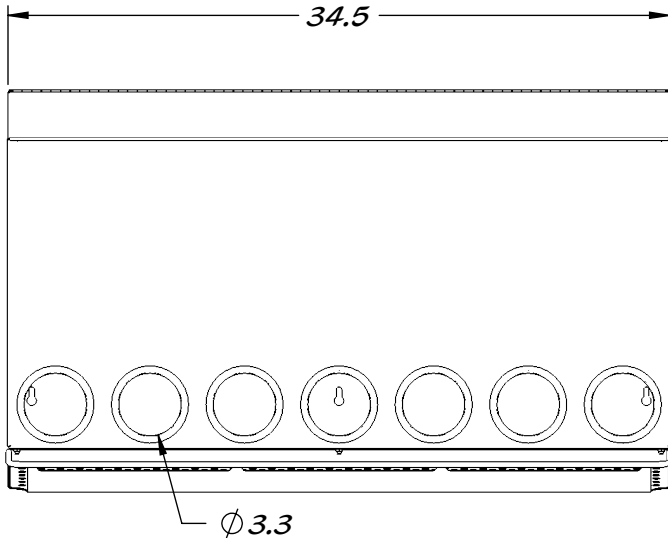
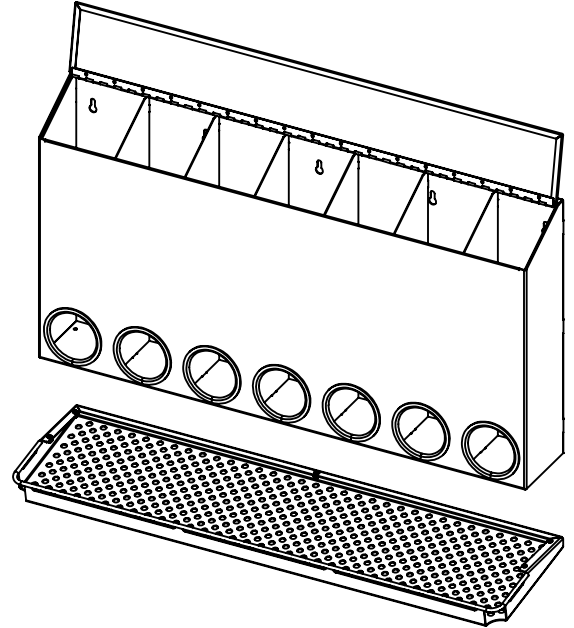
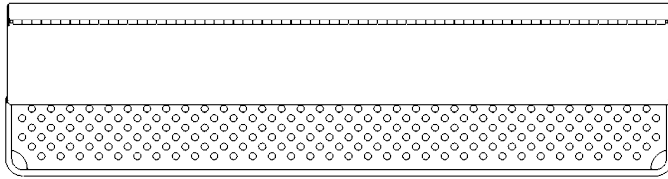


REY1931-210

GLOVE DISPENSER W/ CATCH TRAY

ALL STAINLESS STEEL CONSTRUCTION

MODULAR DESIGN ALLOWS FOR
REMOVAL OF CATCH



Property of Reytek Corporation.
Use of this information without the prior consent of Reytek Corporation is strictly forbidden.